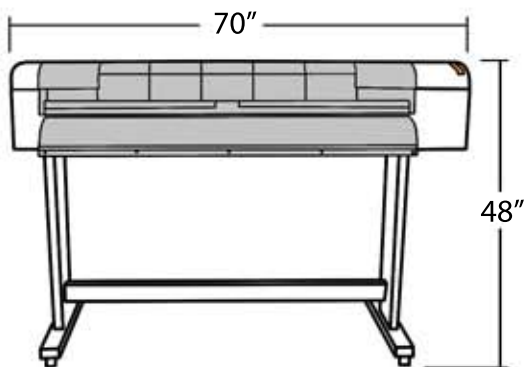


ValueJet

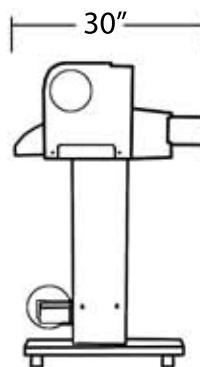
	Cost / Sq Ft	Sale / Sq Ft	Profit / Sq Ft
Grommetted Banners	\$ 0.80	\$ 9.00	\$ 8.20
Printed Vinyl	\$ 0.48	\$ 3.00	\$ 2.52
Window & Wall Graphics	\$ 0.67	\$ 10.00	\$ 9.33
Decals & Stickers	\$ 0.48	\$ 70.00	\$ 69.52
Posters	\$ 0.44	\$ 1.00	\$ 0.56

Dimensions (WxDxH)	70" x 30" x 48"
Print Speed	Up to 140 sq/ft/hr
Operating Temperature	68° F - 89.6° F
Operating Humidity Range	40% - 60%
Power Requirements	100-120V / 20Amp
Warranty	1 Year On-Site

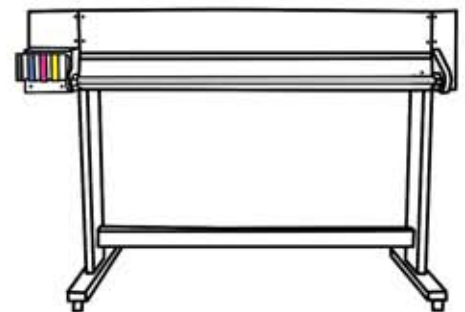
Print Method	Drop-On Demand Drive Method
Number of Nozzles	360 Nozzles Per Color
Ink	Eco-Ultra
Ink Options	220 ml (1000 ml pack available w/ optional adaptor)
Ink Order	K / C / M / Y
Print Mode	1400/720/360 DPI: 12 modes (resolutions and passes)
Max Media Thickness	.65mm / 1.4mm
Maximum Media Width	51"
Maximum Print Width	48"
Max Media Roll Weight/Rigid	42 lbs.
Media Roll Diameter/Core	Diameter 6":3"
Take-up System	Standard
Media-Drying System	Individually Controlled Pre, Platen and Post



FRONT



RIGHT



REAR